

A woman with long dark hair, wearing a dark blue suit, is standing next to a dark-colored car with its trunk open. She is smiling and looking towards the car. She is holding a silver laptop in her right hand, which is resting on the edge of the open trunk. The background shows a bright, modern interior, possibly a car dealership or showroom, with large windows and other vehicles visible in the distance.

MACHINES AND
TECHNOLOGIES FOR THE
AUTOMOTIVE INDUSTRY



Our Mission Statement

▪ SWA – Our Customers' Partner

At SWA you have a partner by your side who prioritizes your interests. Customer orientation lies at the heart of our product and service mission. We will support you throughout the entire life cycle of products produced and manufactured with our tooling and systems. Our engineers and management team will dedicate all of their experience and commit to the success of our customers. Our motivation is the satisfaction of knowing that overcoming great challenges can lead to great products. Your vision, your wishes and your demands are decisive for the quality of our products and services.

Our promise of quality is only achieved when you, our customer, is entirely satisfied. We are committed to an on-going program of improving the efficiency of all techniques and processes in your interest. And it goes without saying that at all phases of our co-operation we guarantee you the highest level of confidentiality.

▪ Leading in innovation

It is our company philosophy to always strive for a pioneering role in development and production. In this way SWA supports the global high-tech automotive sector with powerful and cost-effective tools and systems.



Parts & Components

- Acoustical Parts
- Armrests
- Floor Isolation / Insulation
- Floor Coverings
- CFK Structural Parts
- Front Fascia
- Headliners
- Instrument Panels
- Trunk Linings
- Plastic Body Panels / Parts

- Motor & Underhood Isolation / Insulation
- Center Consoles
- Wheel Well Liners
- Pillar Trim
- Side Panels
- Seats & Headrests
- Rear / Package Trays
- Wall Isolation / Insulation
- Bumpers
- Door Panels

Non-Automotive Parts & Components

- Train Panels and Coverings
- Airplane Panels, Covering, Seats, etc.
- Medical Panels and Coverings
- Sanitary Panels and Coverings

Ruční provoz

X	+1659.299				
Y	-384.318				
Z	+1041.399				
C	-90.000				
A	+0.000				
U	+0.100				
+C	+36.000				

START SP SPRRY HIST

M S F



Punch & Trim Presses

SWA produces standard presses on which various punch & trim tools can be operated. The presses can be stand-alone or integrated with SWA punch & trim tools for a tailor made system. We use a construction method which guarantees precision and rigidity which allows for precise and repeatable trimming of your parts. The presses can also be customized with additional features such as variable clamping force, special sizes and dimensions and various accessories.





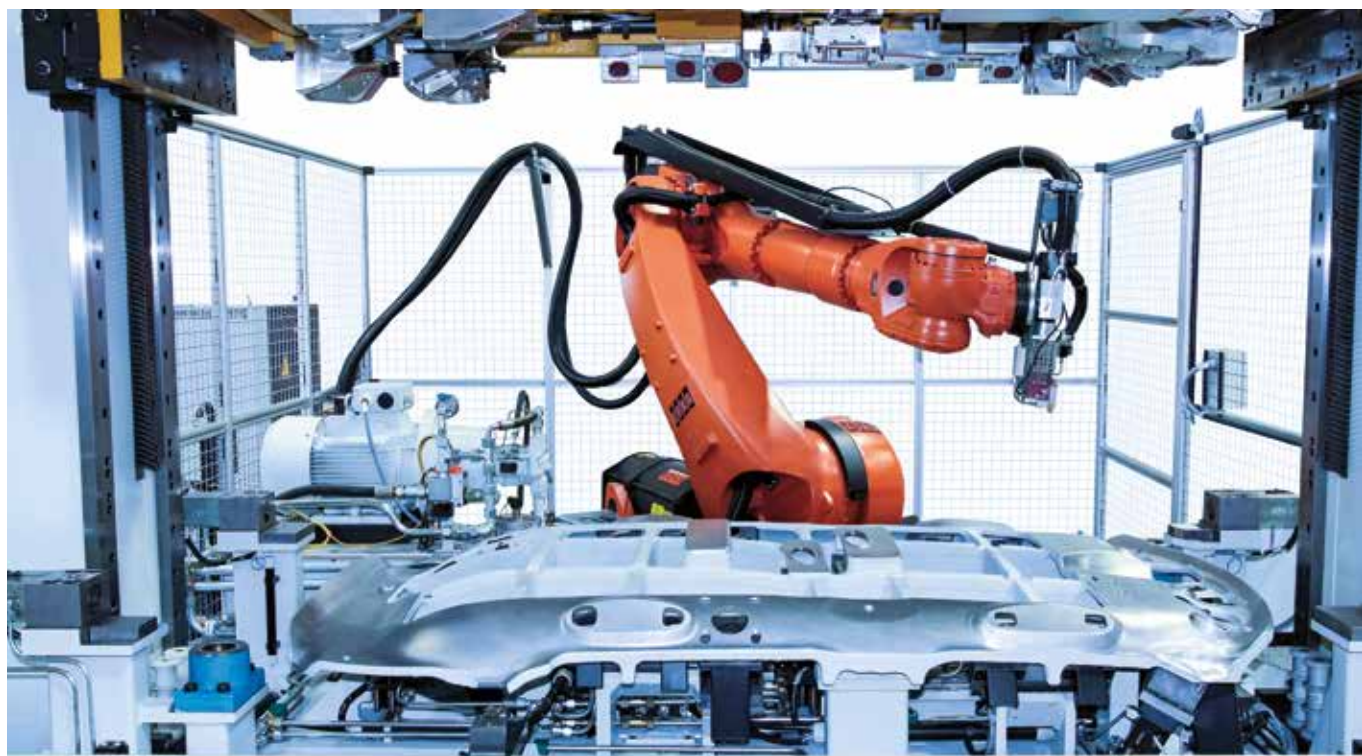
Systems

Complex production tasks require individually planned machines and systems. This includes the assembly of products from multiple components, cutting, bending, edge wrapping, labeling, and testing of the components and much more. SWA develops and delivers individual cost-and-resource-optimized machines and systems which are integrated seamlessly into the existing product environment. Hydraulic, pneumatic and electrical functions or a combination of these are all possible.

Handling/Robotics

The automation of production processes is taken for granted in modern industry and obviously is an important part of the product portfolio of SWA. Using industrial robots and other suitable systems we enable the handling and manipulation of components. This includes placing them on and off of the machines, affixing labels, mounting clips and transferring of parts from one production stage to the next.

In addition, this machine concept allows for a separate loading station with the possibility to make repeatable pre-cuts and triangle cuts of a film or foil in sharp corners as well as implementation of cutting devices, e.g. for a puddle-light or a door close mechanism.





Services

- Mechanical Design & Engineering
- Electrical Design & Engineering
- Project Management
- CNC Milling
- CAD/CAM
- Electrical Panel Building
- Programming & Controls
- Machine Build & Fabrication
- Compression Tools
- Punch & Trim Tools
- Measurement Technology
- Service & Support
- Prototyping
- 1st Run Parts
- Research & Development

Specialists in Tools

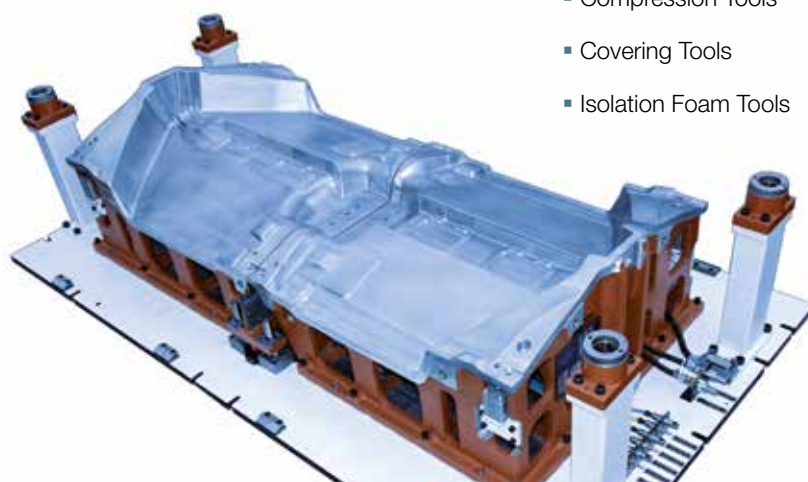
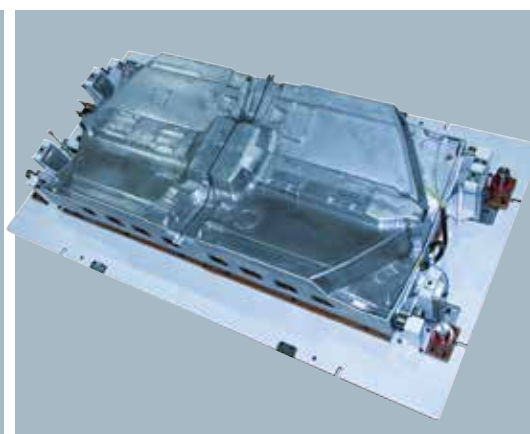
Individual and Automated Production

SWA's product range includes tools and systems for production of interior, exterior and acoustical parts for automotive manufacturing. Within this field we have specialized in the shaping of plastics and composite materials such as plastic-textile combinations. Our technology portfolio includes compression tools, covering tools, isolation foaming tools, vacuum tools, punch & trim tools and flexible trimming fixtures such as for waterjet and router trimming. We can deliver testing and measuring devices such as checking



and cubing fixtures for on-going quality management during production.

SWA plans, develops and builds machines and systems from individual presses to customized automated production cells with a sequence of work steps. SWA also delivers tools and systems for the preparation of CFRP bodywork parts for series production.



Various tools

- Compression Tools
- Covering Tools
- Isolation Foam Tools
- Vacuum Tools
- Punch & Trim Tools
- Checking & Cubing Fixtures
- Flexible Trimming Fixtures

SWA S.R.O.

Průmyslová 763

33301 Stod

Tschechische Republik

T +420 377 233 711

F +420 377 233 712

info@swa.cz

www.swa.cz



SWA is a partner of well-known vehicle manufacturers and suppliers and develops and produces tools, machines and systems to manufacture automotive interior, exterior and acoustic insulation parts. SWA's products are used in all important automotive manufacturing locations around the world and are an ideal addition to the Kiefel product and technology portfolio. As a subsidiary company of Kiefel, SWA is a member of the German Brückner Group, a worldwide leading supplier of plastics machinery.